

# MAKING YOUR SOIL ALIVE

## CMC - ST 300

Compost  
**SYSTEMS**



The Compost turner CMC-ST-300 is a “classic”, and has been field-proven for many years, and considered to be one of the most effective turning machines in the composting industry world wide.

With a working width of 10 feet and a working height of 5 feet, the machine will turn piles up to 32ft<sup>2</sup> cut surface.

Minimum requirement for smooth operation is a 60 hp tractor. Ideal is a tractor between 80 and 100 hp. Heavy material and large piles require a creeper gear on the tractor.

The CMC-ST-300 can be equipped with fleece-roller, inoculation system, irrigation system and a hydraulic pusher axle on the machine.

The heart of the machine is the unique functioning turning rotor. Copied many times, but never duplicated, the original rotor removes the CO<sub>2</sub>, supplies oxygen, mixes and forms a new pile, like no other rotor available. This will secure a constant aerobic process, and high quality end product.

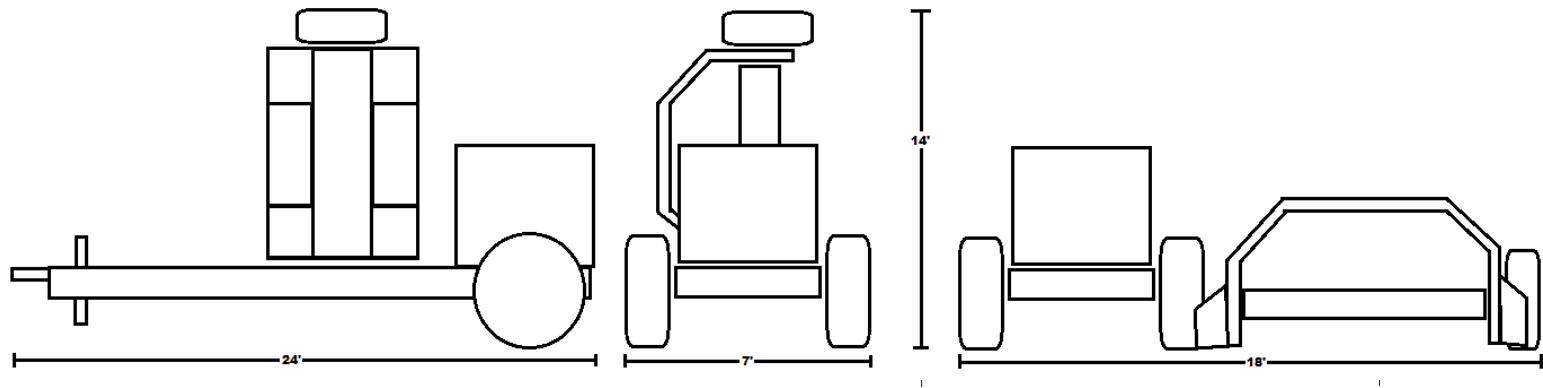
The CMC-ST-300 is fully approved to meet the strict criteria of the CMC(Controlled microbial composting by Luebke) composting method.

We will be happy to work together with you to create your ideal machine. Feel free to contact us at your convenience. With over 20 years experience building composting equipment, we can help you by tailoring the equipment to your specific needs.

- Simple operation
- Easy transport
- High capacity
- Durable



The original  turning-machine **CMC- ST-300**



#### Technicle data:

maximum width: 11 ft  
 maximum height: 5 ft  
 rotor length: 10 ft  
 transport height: 13 ft  
 shipping dimensions: 24 x 7 x 8 ft

transport-weight: ~ 4400 Lbs  
 incl. counterweight: ~ 10,300 Lbs

tires: 11.5/80X15

PTO: Walterscheid W 2500

color: grey / blue  
 (optional colors on request)

Tractor power: from 60hp  
 turning quantity: ~ 35,000ft<sup>3</sup>/hr/80hp

working-speed: 650-2400ft/hr  
 (depends on material)

#### Options:

- Hydraulic drive wheels
- Front shovels
- Hydraulic control
- Concrete block counter weight
- Inoculation system
- Irrigation system
- Optional colors
- Lighting system
- Wheel brakes

The number 1 produced compost turner in Europe

#### **Autrusa Inc.**

941 Perkiomenville Rd.  
 Perkiomenville PA, 18074

[www.AUTRUSA.com](http://www.AUTRUSA.com)

610-754-1110

Compost Systems GmbH, Maria-Theresia-Straße 9, 4600 Wels

Tel.: +43 7242 350777 0, Fax +43 7242 350777 20, info@compost.systems.com, www.compost-systems.com